

JUNE 2020 NEWSLETTER



ALL SET TO OPEN

I'm super excited to welcome you back to Emy Beauty. It's been 15 weeks since I closed my doors - feels like a lifetime ago, but I've used the time to spruce up on my skills, create some new and exciting nail designs as well as spending time creating a safe space for us.

It's my aim to open on Monday 6th July - this is yet to be confirmed by the government, as soon as we have the green light I will update you all.



Waiting List Application

Please add your details to my waiting list for when I reopen. My online bookings have been paused for the time being to allow those registered on the waiting list to get their appointments in first. I am also using this to ensure I have your correct contact details on my system so I am able to contact you as soon as my books open.

I take your privacy very seriously and will only use your personal information to provide the products and services you requested.

Thanks

Emy Beauty

*Required

Email address *

Your email address

Name *

BOOKINGS

I'm currently operating a waiting list, if you haven't already done so please complete the [Waiting List Application Form](#). You'll be added to the list and get priority on initial appointments.

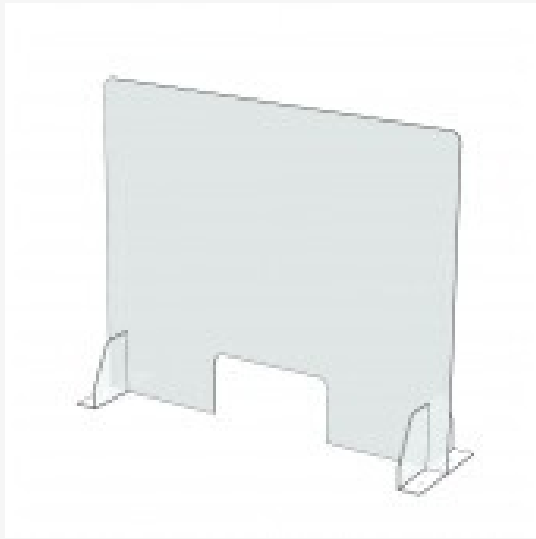
Once people on my waiting list have all been scheduled in I'll then be opening my [Online Bookings](#) - this will be open on Monday 22nd June.

THE NEW NORMAL

As you're aware things might not be quite how you remember them when you get back.

In order to meet the Government Guidelines on COVID-19, there are a number of changes that I've had to make. These have all been put in place to keep both, me and you, safe.

You can view my COVID Policy to find out about the changes you can expect. [Download here.](#)



PRICE CHANGE

I just wanted to let you know that there has been a small price increase across some of my services - this is the first price increase I have made in almost 3 years and so was necessary to keep in line with the current beauty market.

I've also had to increase prices due to the effects of Coronavirus - I have had to invest in a lot of PPE which is an extra cost, and inflation on these prices has meant its a cost I just can't absorb. You can find my up-to-date prices on my [website](#). Any questions about price increases please do not hesitate to get in touch.



ONLINE SHOP LAUNCHED

I'm excited to announce that my online shop, 'Emy Wares', launched during lockdown. I offered nationwide delivery and Click and Collect for those more local.

Plus I've got lots of exciting things in the pipeline and can't wait to share it all with you!

Go check out my [online shop](#).

